

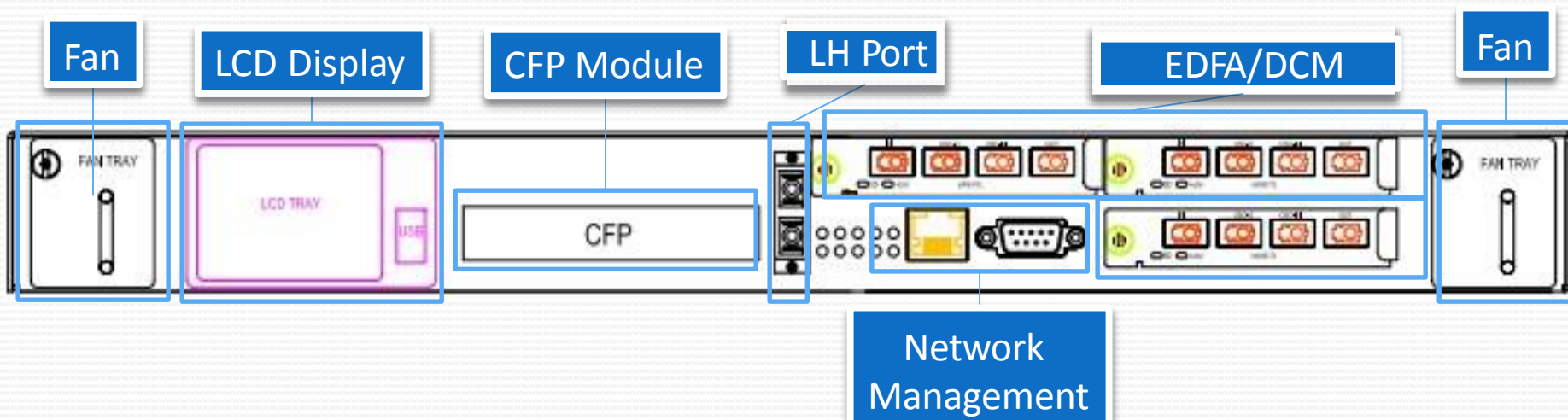
eWAVE5101 Product Application

100G Transponder/Media Converter



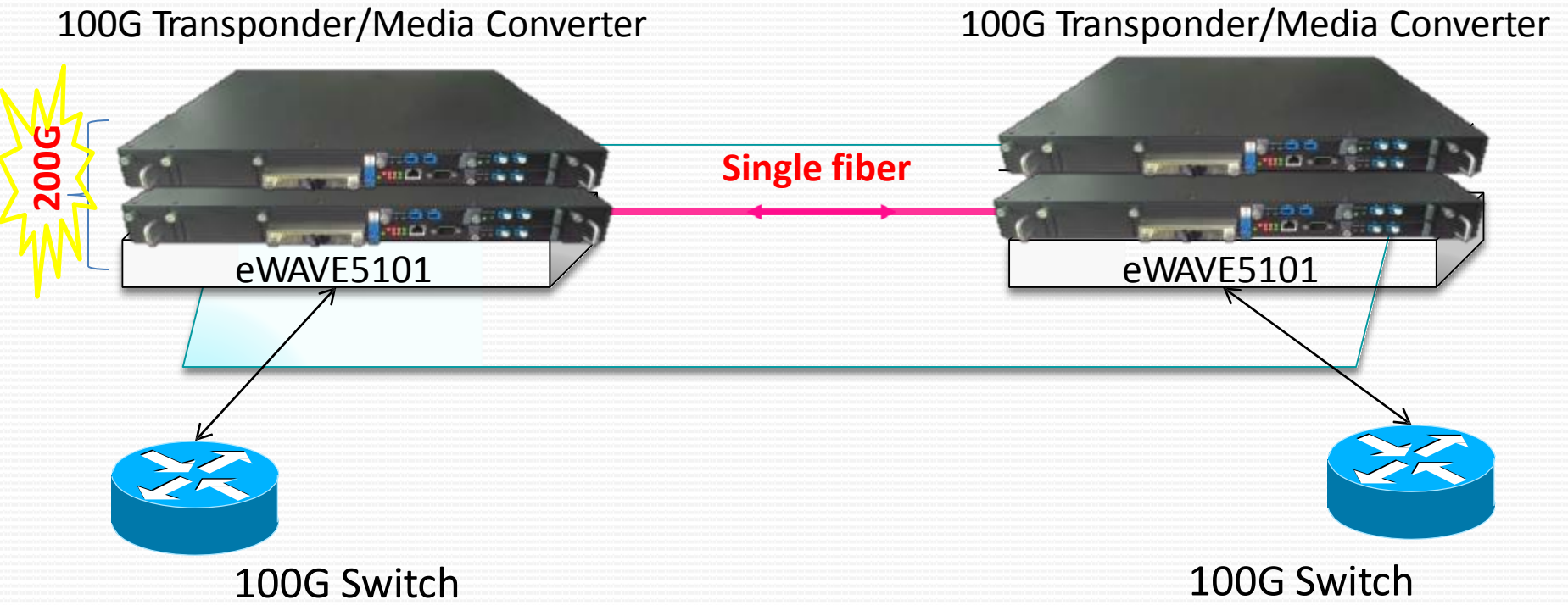
eWAVE5101 Overview

100G Transponder/Media Converter



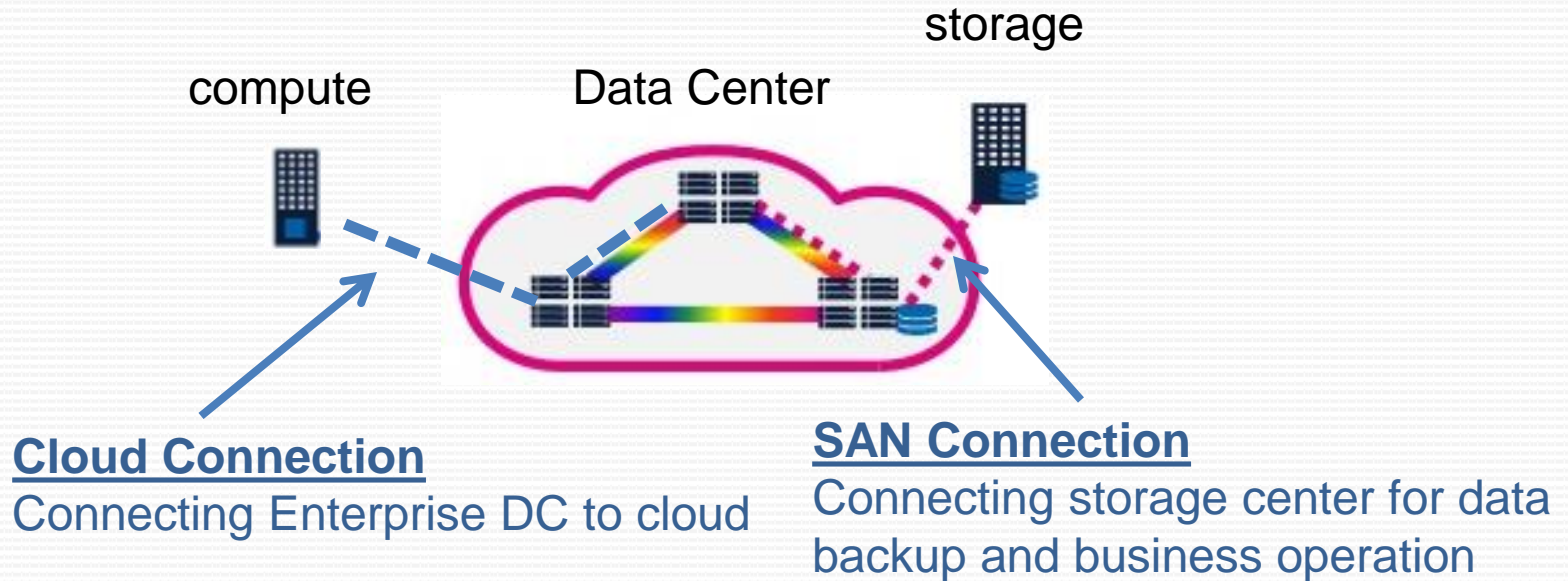
Application: Stacking in Single Fiber

- Support up to **200G** transmission in **Single fiber** when **stacking**
- **2U space is required ONLY!!**



Data Center Connectivity Application

- Connection to Data Center

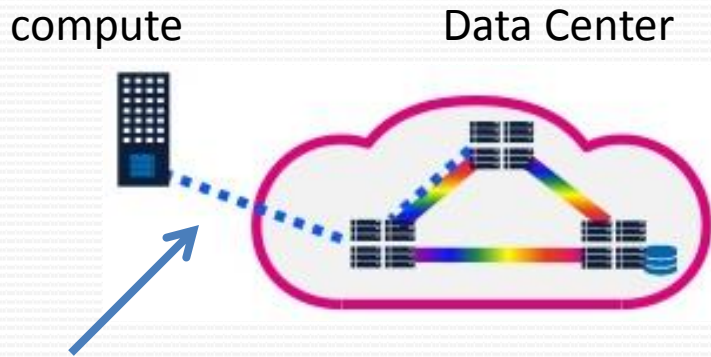


- Compact for storage: **1U per chassis**
- Support EFEC
- High power budget: 24dB in 80km without amplifier



Cloud Connection

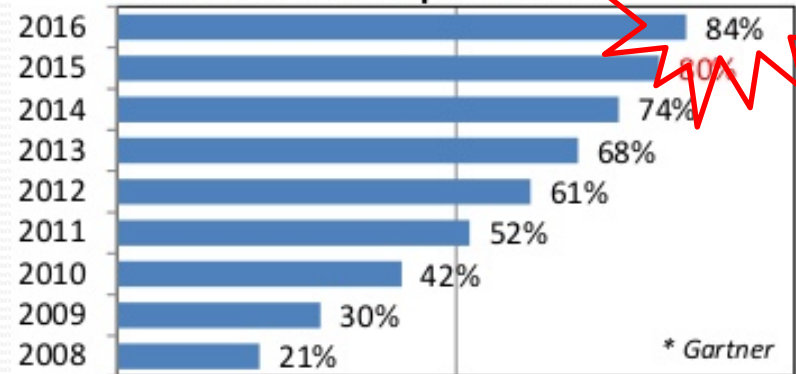
- Connection to Data Center



Cloud Connection

Connecting Enterprise DC to private/public cloud

Marketing trend of cloud usage:

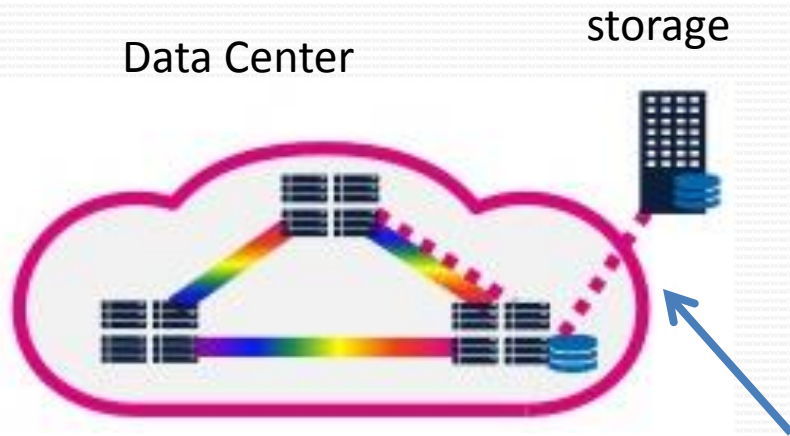


- Demand growing fast in **100G transmission** in Data Center Application



SAN Connection

- Connection to Data Center



83%

of companies using cloud storage

SAN Connection

Connecting storage center for data backup and business operation

- Extremely high demand in cloud storage
- Super convenient for data storage



Thank you!!

For more information, please visit:
www.ewave.com.hk

